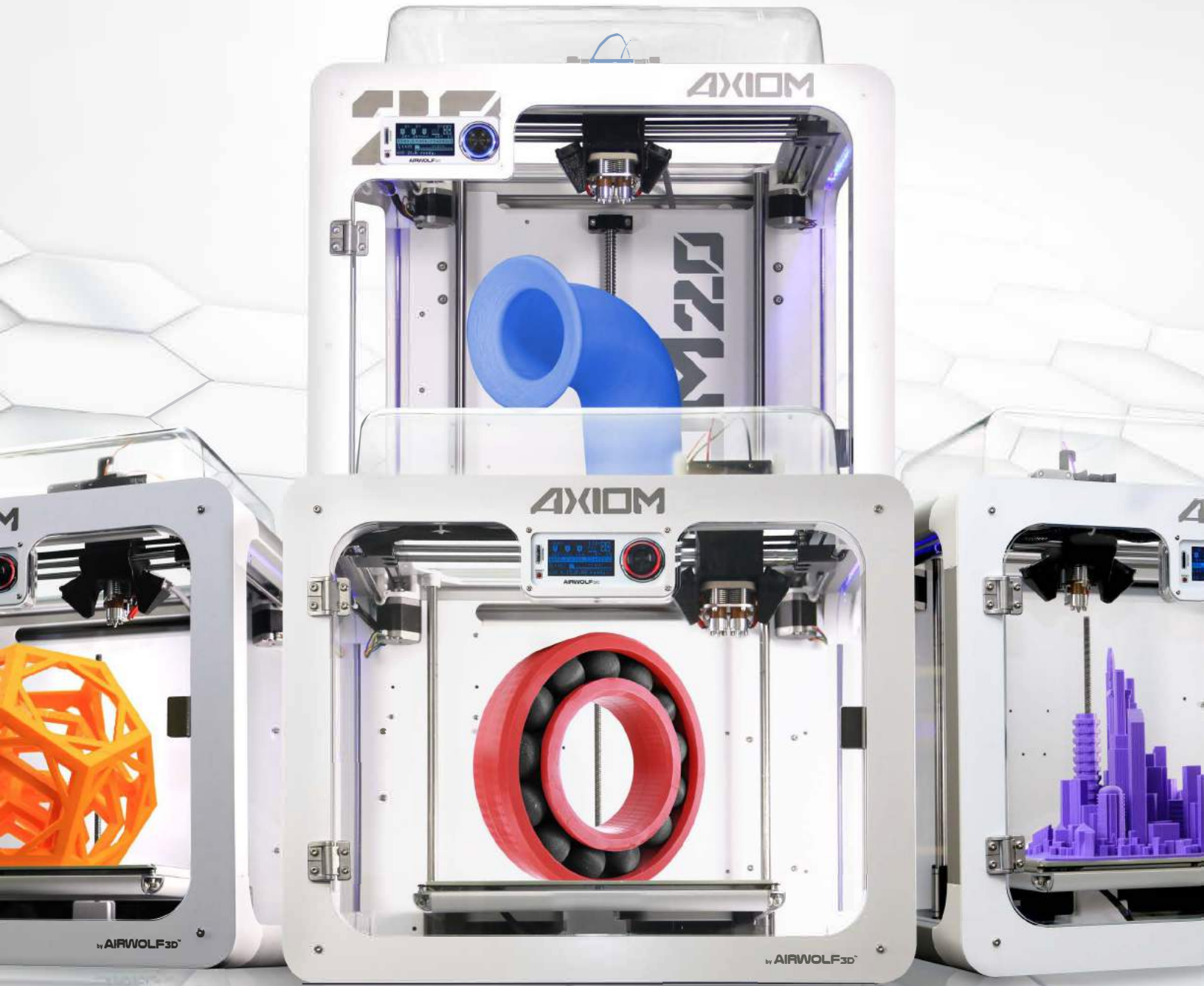


# AXIOM<sup>®</sup>

# SERIES

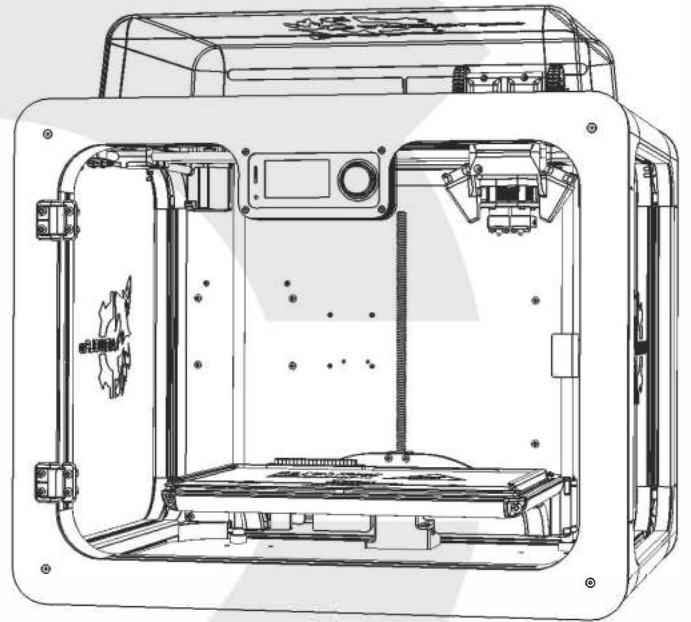


# Presenting The **AXIOM**<sup>®</sup> Lineup

As the first and only **desktop 3D printer** in its price class to integrate an innovative set of high-performance features, the **AXIOM** dominates the sub **\$10,000** market between small **hobbyist machines** and significantly more expensive **industrial** desktop 3D printers.

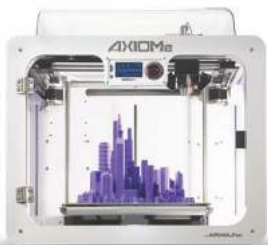
## These Features Include:

- Patented, **fully enclosed** build chamber
- Large **1,000-cubic-inch** print envelope
- Proprietary **jam-resistant** hot end
- **Auto-leveling** makes printers precise and easy to use
- Up to two independently controllable, **high temperature nozzles** for **dual printing**
- Ability to print in **over 40 materials**, including traditionally difficult-to-print **flexible materials** and high-temperature industrial-grade **polycarbonate** and **polypropylene**<sup>1</sup>
- **Modular construction** allows easy service and upgrades

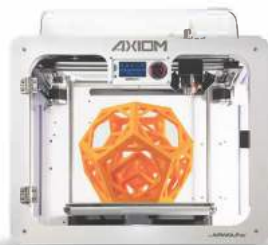


## Additional Differentiators:

- Designed and assembled in **California, USA**
- **Airwolf 3D** is a minority-owned, woman-owned small business
- **"White Glove"** Service by expert service technicians
- Named **"Best 3D Printer of 2016"** by TopTenReviews.com



**AXIOMe**



**AXIOM**



**AXIOM DUAL**



**AXIOM 2.0**

<sup>1</sup>Due to unheated bed, AXIOMe prints in only 10+ materials.

# What Distinguishes the AXIOM<sup>®</sup> Line?

The only desktop 3D printer with a unique combination of features

## High Temperature Printing up to 315°C

- Up to two, independently controllable high-temp nozzles for dual printing
- Print in industrial-grade polycarbonate and polypropylene
- Proprietary jam-resistant hot end resists clogging

## APEX™ Slicing Software

- A more simple, intuitive way to 3D print
- Pre-loaded material profiles save time and hassle
- Fully configured and optimized for all Airwolf 3D printers

## Direct Drive Extrusion System

- Print "difficult," flexible materials more easily
- Higher overall print quality with more room for error

## Enclosed Housing

- Enclosed design for heat containment
- Creates a high temperature, controlled environment

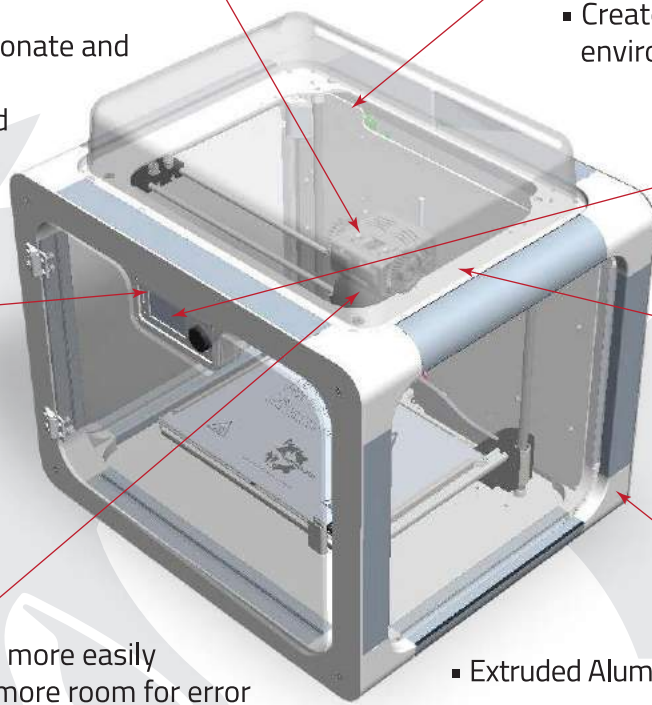
## Wireless, Ethernet, USB, MicroSD

## Modular Design

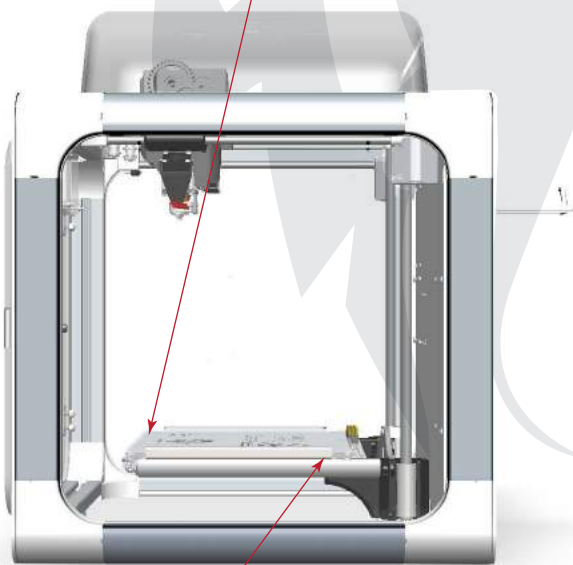
- Convenient End-User Replacement Cassette provides greater serviceability and upgradeability

## Rugged Construction

- Extruded Aluminum and Injection-Molded Frame



## Print Bed 'Slide-In' Locking System

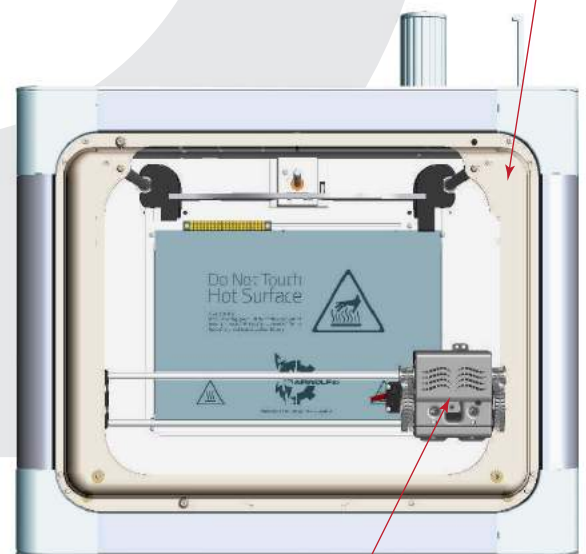


## Auto Leveling

- Calibrates before every print
- Actively manages leveling during the print job

## End-User Replaceable Cassette (ERC)

- End-User Replacement Cassette for serviceability and upgradability

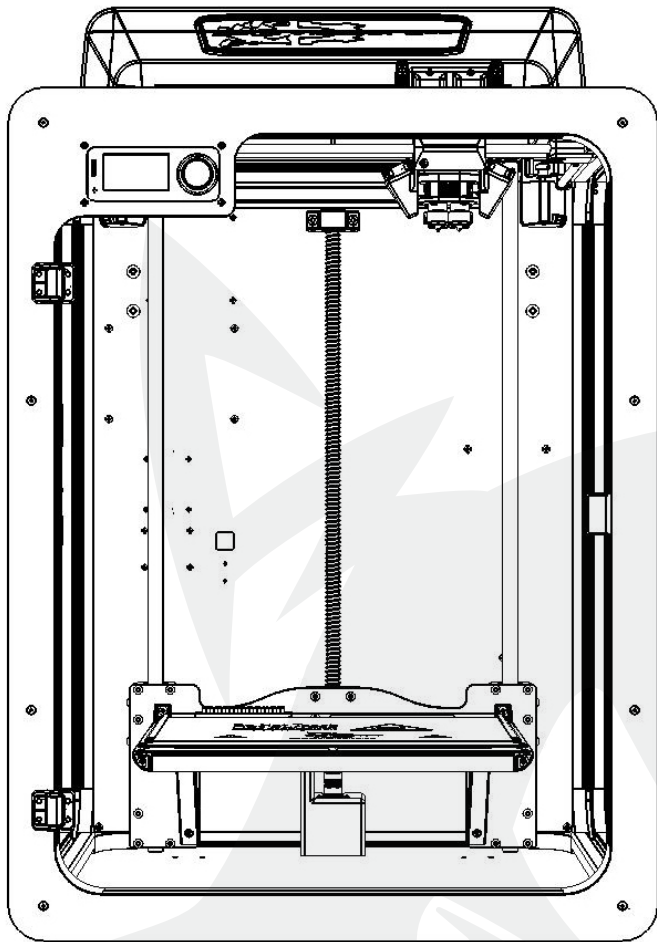


## CORE XY Motion System

- Rapid and precise placement of the extruder
- Technology not seen on desktop 3D printers
- Durable belt-driven design

# AXIOM<sup>®</sup> Features and Benefits

Benefit	Advantage	Technology / Feature	Comments
<b>Wide Range of Materials</b>	<b>PLA/TPU to Nylons and Polycarbonates</b>	Proprietary Airwolf 3D Hot End	Multiple Materials without Replacing the Hot End
		AXIOM Dual - Two Independently Thermal Hot Ends	Use of Two Different Materials in Same Print
		Enclosed Chamber with Heat Containment	Consistent, Higher Temperature Environment
		Heated Bed	Allows Use of High Temperature Materials
		APEX™	Preloaded Materials Settings, Optimized Slicing for Airwolf 3D Machines
<b>High Resolution</b>	<b>Exceeds Products 3-4x More Expensive (Mojo / UPrint)</b>	CoreXY Motion System	Precise Placement of Extruder
		Enclosed Chamber with Heat Containment	Consistent, Higher-Temperature Environment
		Auto-Leveling	Eliminates Errors of Manual Leveling
		40 Micron Layer Height	Finely Detailed Layers
		Multiple Nozzle Options (.8mm, .5mm, and .35mm)	Thin Walls and Details
		APEX™	Properly Sliced Print Files, Great for Break-Away Support
<b>Ease of Use</b>	<b>Industry-Leading, User-Friendly Design</b>	Auto-Leveling	No Manual Adjustment, Machine Does the Work
		APEX™	Slicing, Pre-Installed Material Settings, Device Management Customized for Airwolf 3D Machines
		'Easy-Feed' Filament System	Easy-to-Install Filament System
		Print Bed 'Slide-In' Locking System	Removes Hassle of Clip Systems
		End-User Replacement Cassette (ERC)	In the unlikely event of service, ERC can be removed by end-user for quick field replacement.
		VIKI	Front-Panel Control Easy to Use
		Wi-Fi, Ethernet, USB, Micro SD	Flexible Connectivity
<b>Speed</b>	<b>Print Speed is 150% Faster than HD</b>	CoreXY Motion System	Allows Faster Movement than Gantry Systems
<b>Rugged Design</b>	<b>Long Life and Durability</b>	Extruded Aluminum	High-Strength Components
		Injection-Molded Polycarbonate	High-Strength Components
		Flex-Resistant Glass	Double-Sided Glass Plate is Stronger than Standard Borosilicate Glass and Prevents Flex During Long Prints
		CORE XY Motion System	Durable Belt Design
		Industrial-Grade Parts and Components	Long-Life Components
<b>Modular</b>	<b>Easy to Upgrade and Service</b>	End-User Replacement Cassette (ERC)	ERC Can Be Removed by the End-User for Hassle-Free Upgrades to the Latest Technology



## What's New in the **AXIOM<sup>®</sup>20**

Taller and Tougher for  
Industrial Applications

### Extra-Large Build Envelope

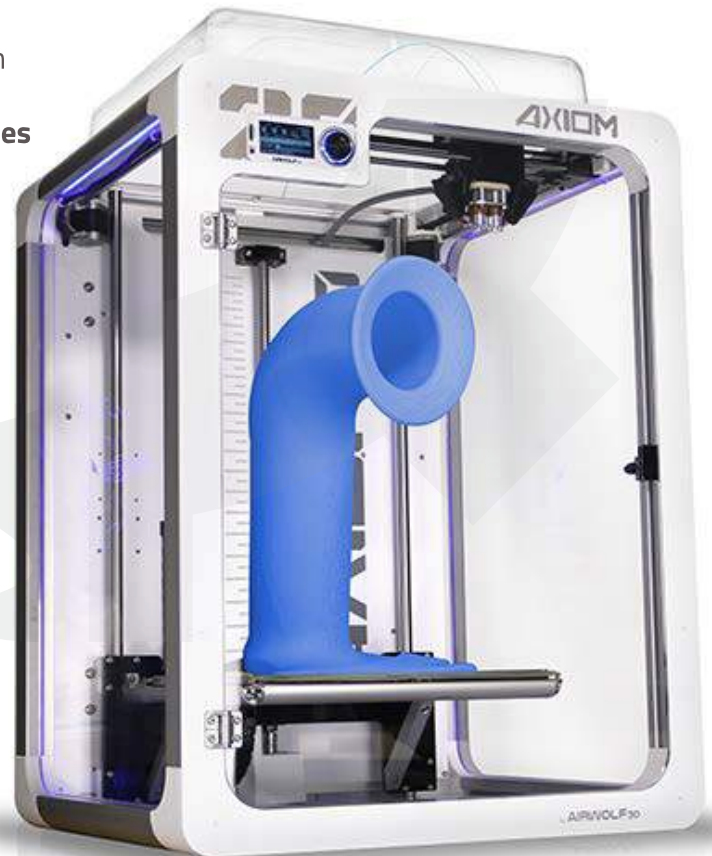
- Towering **20" Z-axis** makes **AXIOM 20** the **tallest** in its price class
- Huge **12.5" x 12" x 20"** build chamber for **prototypes** and **production-grade parts**

### Industrial Ball Screw Construction

- Superior **accuracy** and **extreme precision**
- High **repeatability** with **zero backlash**

### Ruggedized Construction

- **Steel** and **aluminum-intensive** components
- Easily runs for **30-40+ hours** at a time



# Comparison Chart



## WHICH MODEL IS RIGHT FOR YOU?

FEATURES	AXIOM <sub>2</sub>	AXIOM	AXIOM <b>DUAL</b>	AXIOM <sub>2D</sub>
<b>MSRP</b>	\$3195	\$4195	\$5195	\$9995
<b>Extruder Configuration</b>	Single	Single	Dual	Dual
<b>Max Temp</b>	260°C	315°C	315°C	315°C
<b>Cool Fans</b>	Tri-Fan	Tri-Fan	Quad-Fan	Quad-Fan
<b>Interchangeable Nozzles</b>	Yes (.35mm, .5mm, .8mm)	Yes (.35mm, .5mm, .8mm)	Yes (.35mm, .5mm, .8mm)	Yes (.35mm, .5mm, .8mm)
<b>Heated Bed</b>	✗	✓	✓	✓
<b>Max. Bed Temp.</b>	NA	145°C	145°C	145°C
<b>Enclosed Print Chamber</b>	Yes	Yes	Yes	Yes
<b>Wolfbite® Bed Adhesive</b>	Nano	Nano, Reg., Nitro, Mega, Ultra	Nano, Reg., Nitro, Mega, Ultra	Nano, Reg., Nitro, Mega, Ultra
<b>Auto Leveling</b>	✓	✓	✓	✓
<b>Motion System</b>	Core XY	Core XY	Core XY	Core XY
<b>Cloud-Based Printing</b>	✓	✓	✓	✓
<b>LCD Screen</b>	✓	✓	✓	✓
<b>Connectivity</b>	USB, Micro SD	Wi-Fi, Ethernet USB, Micro SD	Wi-Fi, Ethernet USB, Micro SD	Wi-Fi, Ethernet USB, Micro SD
<b>Frame Construction</b>	Aluminum/Polycarbonate	Aluminum/Polycarbonate	Aluminum/Polycarbonate	Aluminum/Steel
<b>Build Volume</b>	12.5" x 8" x 10"	12.5" x 8" x 10"	12" x 8" x 9.5"	12.5" x 12" x 20"
<b>Layer Height</b> (Recommended)	100 micron	100 micron	100 micron	200-350 micron
<b>Minimum Layer Height</b>	40 micron	40 micron	40 micron	40 micron
<b>Print Speed</b>	250 mm/sec	250 mm/sec	250 mm/sec	250 mm/sec
<b>Travel Speed</b>	400 mm/sec	400 mm/sec	400 mm/sec	400 mm/sec
<b>Upgradeable</b>	✓	✓	✓	✓
<b>Warranty</b>	12 Month, by Manufacturer	12 Month, by Manufacturer	12 Month, by Manufacturer	12 Month, by Manufacturer
<b>PLA</b> (All PLA based materials)	✓	✓	✓	✓
<b>ABS</b>	✗	✓	✓	✓
<b>Nylon</b>	✗	✓	✓	✓
<b>Polycarbonate</b>	✗	✓	✓	✓



# REPLACEMENT PARTS/ACCESSORIES

ORDER REPLACEMENT PARTS AND ACCESSORIES FROM [www.AIRWOLF3D.com](http://www.AIRWOLF3D.com)

From Wolfbite bed adhesion solutions to glass build plates, Airwolf 3D has you covered. Check out our bundle deals and save!



**AXIOM FLEX-RESISTANT GLASS PLATE**  
Heavy duty Flex-Resistant Glass for AXIOM series 3D printers.



**HYDROFILL WATER-SOLUBLE SUPPORT**  
The world's only filament that dissolves in plain water and is fully eco-friendly.



**AXIOM ABS START-UP BUNDLE**  
Save money and get everything you need to print ABS on the AXIOM!



**AXIOM ENGINEER START-UP BUNDLE**  
Save money and get everything you need to print with engineering materials on the AXIOM!



**WOLFbite** for ABS, PETG, TPE, and TPU.  
Helps parts stick to the bed.



**WOLFbite NANO** for PLA.  
Helps parts stick to the bed.



**WOLFbite MEGA** for Polycarbonate and PC/ABS.  
Helps parts stick to the bed.



**WOLFbite NITRO** for Nylon.  
Helps parts stick to the bed.



**WOLFbite NITRO** for Nylon.  
Helps parts stick to the bed.



Aidex Corporation  
58 E. South St., PO Box 388, Rossville, IN 46065  
Toll Free: 800-251-9935 - [www.aidex.com](http://www.aidex.com)

130 McCormick Ave. Suite 105, Costa Mesa, CA 92626

 949.478.2933



visit us at [www.airwolf3d.com](http://www.airwolf3d.com)

